

PLEASE CHECK WWW.MOLEX.COM FOR LATEST PART INFORMATION

Part Number: [0357401410](#)
Status: **Active**
Description: 2.20mm (.087") Diameter PC Board Crimp Terminal, Male, Tin Plated Brass Contact, 1.80mm (.071") PC Board Hole Size

Documents:

[Drawing \(PDF\)](#) [RoHS Certificate of Compliance \(PDF\)](#)
[Product Specification PS-35740-003 \(PDF\)](#)

Agency Certification

UL E134962

General

Product Family Quick Disconnects
 Series [35740](#)
 Crimp Quality Equipment Yes
 Product Name N/A
 Type Quick Disconnect

Physical

Barrel Type Open
 Gender Male
 Glow-Wire Compliant No
 Insulation None
 Lock to Mating Part None
 Material - Metal Brass
 Material - Plating Mating Tin
 Material - Plating Termination Tin
 Orientation PCB Straight Tab
 Packaging Type Reel
 Plating min: Mating (µin) 32.00
 Plating min: Mating (µm) 0.800
 Plating min: Termination (µin) 32.00
 Plating min: Termination (µm) 0.80
 Tab Thickness N/A
 Tab Width N/A
 Termination Interface: Style Crimp or Compression
 Wire Size AWG 18, 22

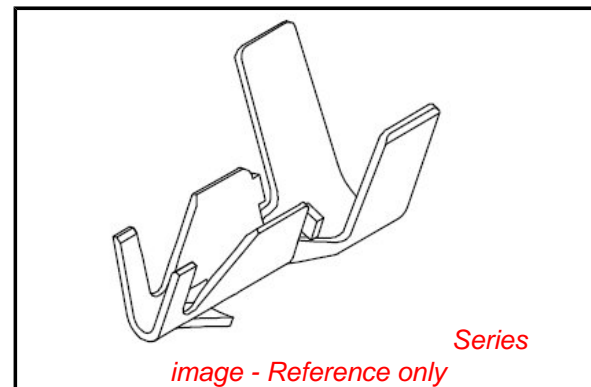
Electrical

Voltage - Maximum N/A

Material Info

Reference - Drawing Numbers

Product Specification PS-35740-003
 Sales Drawing SD-35740-1410



EU RoHS

ELV and RoHS Compliant
REACH SVHC Contains SVHC: No
Halogen-Free Status

China RoHS

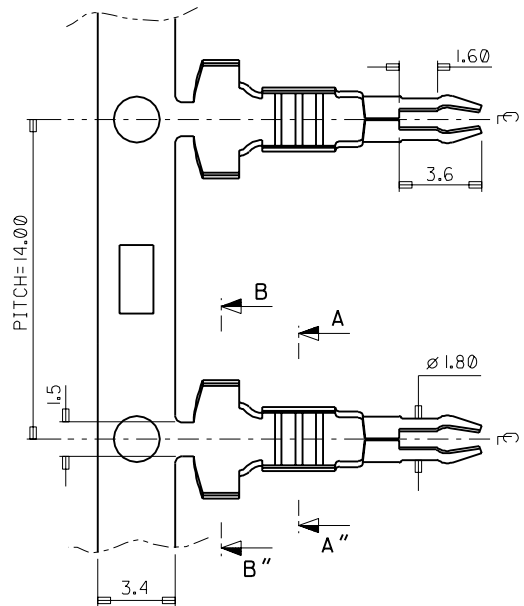


Need more information on product environmental compliance?

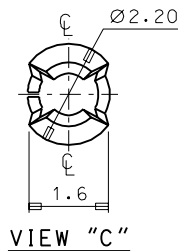
Email productcompliance@molex.com
 For a multiple part number RoHS Certificate of Compliance, [click here](#)

Please visit the [Contact Us](#) section for any non-product compliance questions.

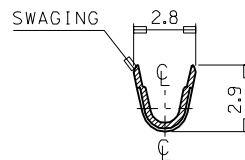
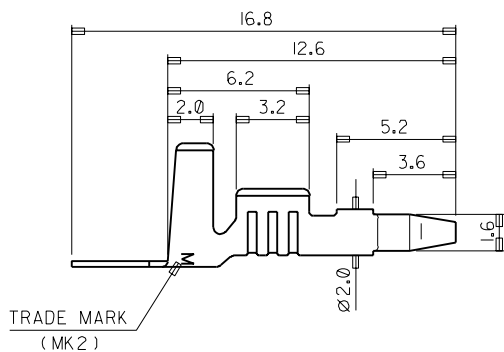
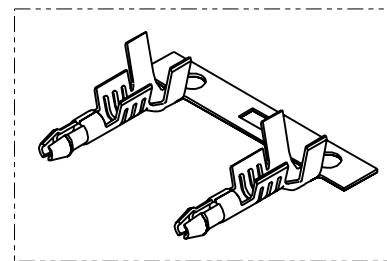
Search Parts in this Series
[35740Series](#)



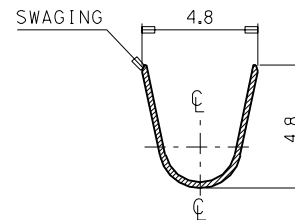
VIEW "C"



VIEW "C"



SEC' : A-A"



SEC' : B-B"

- NOTES
1. MATERIAL : BRASS , 0.25mm THICKNESS
 2. FINISH : PRE-PLATED TIN
 3. RECOMMENDED LENGTH OF WIRE STRIP IS 4.2-4.8 mm.
 4. P.C BOARD HOLE SIZE : $\varnothing 1.8^{+0.1}$ mm
 5. APPLICABLE P.C BOARD THICKNESS : 1.6 mm
 6. GENERAL TOLERANCE : 1PLCS : ± 0.30
2PLCS : ± 0.20

WIRE RANGE AWG #22-#18 (0.30-0.85 mm ²)				MATERIAL BRASS		molex MOLEX-KOREA CO.,LTD.	
INSULATION RANGE $\varnothing 1.7 - 3.0$				GENERAL TOLERANCE DIMENSION : SEE NOTES		DRAWN BY J.S.KANG	CHK'D BY
DIE FEED: ---				DIMENSION CLASSIFICATION ▽ : CRITICAL ▼ : MAJOR () : REFERENCE		APP'D BY	SCALE 5/1
APPLICATOR FEED: 14.0				ASS'Y PART		TITLE: $\varnothing 1.8$ P.C.B CRIMP TERMINAL	
Q'TY/ REEL OR PACK 3,000 Q'TY/REEL				DESCRIPTION ENG. NO.		SHEET 1 of 1	
REVISE ONLY ON CAD SYSTEM				--- ---		ENG. NO. SD 35740-1410	
						REV B	